



the  
**REVOLUTION**  
is just nine bolts away.

## REVOLUTION!



Now everyone can enjoy the benefits of a fork positioner. With Cascade F-Series Sideshifters you can decide before or after the truck is ordered if you need additional functionality as your business applications grow. Cascade Sideshifters now come pre-drilled for easy field adaption to a fork positioner. With just nine bolts and a low cost easy to install kit, gaining the ease and safety of a fork positioner is just minutes away. So, go ahead change your mind, you're covered either way.

## Why a Fork Positioner?



**Improve Operator Safety**



**Increase Productivity**



**Reduce Damage**

**Improve Operator Safety.** Avoid driver back strain and pinched fingers from manually moving forks on the lift truck.

**Increase Productivity** by eliminating the need for the driver to have to get on and off the truck to manually move the forks.

**Reduce Damage** by allowing the operator to accurately position the forks from the drivers seat for handling a variety of pallet sizes.

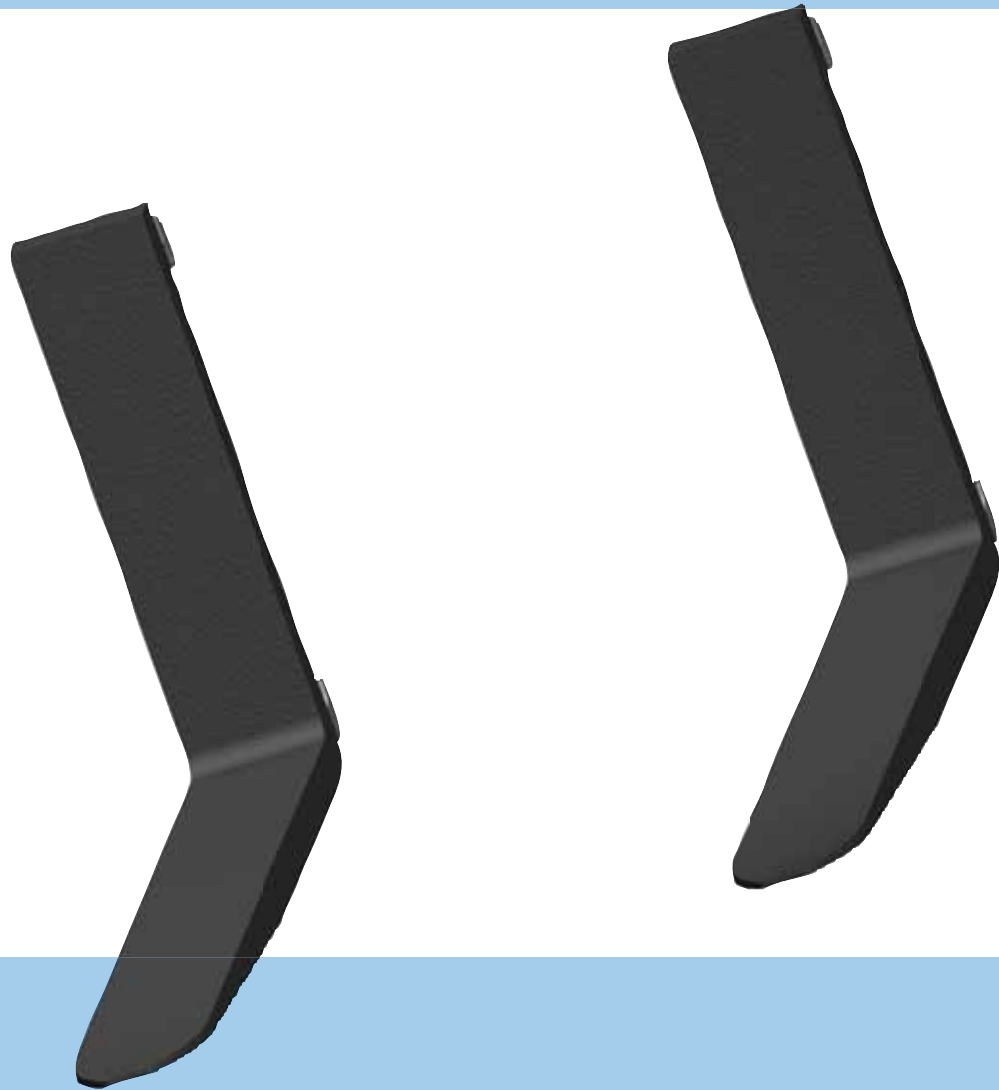
## Total Solution



Check out Cascade's new WorldFork™, and other outstanding product options. Whether you are a K-Series user, or a Revolution participant, our forks and options are all made to be compatible and scalable, bringing you the best in efficiency at the lowest total cost.



Offering the world high quality  
forks at an unbeatable price.



***Consistent, high quality forks at a low price and worldwide availability.***

- Available in class II & class III up to 1500 mm in length
- Exceeds requirements of current international standards
- Certified according to ISO 9001:2000 ensuring only the highest quality products are shipped
- Global availability with minimal lead times
- Every fork is 100% tested and inspected using magnetic particle inspection

For seamless integration with Cascade Sideshifters and  
Fork Positioners, WorldFork™ is your number one choice.

# F-Series Sideshifter



## High Visibility

The F-Series Sideshifter is designed for maximum visibility so loads are easier to see.

## Uniform Speed

Double-ended cylinder rod design provides equal sideshift speeds in both directions.

## No-Weld Mounting

All Cascade Sideshifters are shipped pre-assembled and greased, ready to install. No welding, drilling or tapping required.

## Meets International Industry Standards

The F-Series Sideshifter complies with ANSI/ITSDF and International Standard Organization (ISO) standards.

## Compatible

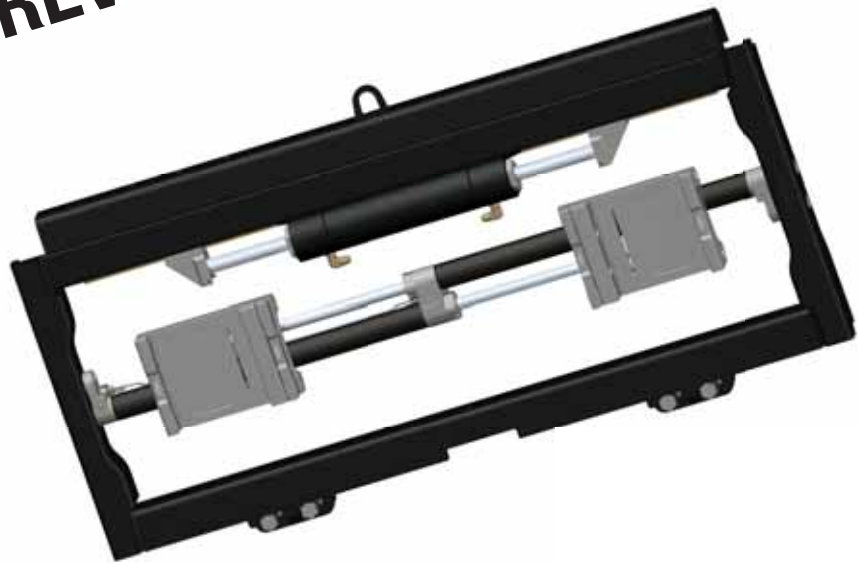
High pressure cylinder allows compatibility with trucks using up to 3,500 PSI / 241 bar without the need for additional pressure reliefs.

# The sideshifter ready for EVOLUTION

# K-Series Fork Positioner



The REVOLUTION Starts Here.



## **Increase Productivity**

Allows operator to accurately position forks from the drivers seat for handling a variety of pallet sizes.

## **Reduce Damage**

Compact construction offers excellent visibility over and through the frame.

## **Easy Installation**

No-weld installation and compatibility with OEM load backrests for easy installation.

## **Hydraulic Solutions**

Radio Frequency Control option permits the use of a single auxiliary valve to control an additional hydraulic function, eliminating the need for hydraulic hoses or electric cables.

A Sequence Valve permits fork positioning at the end of the sideshift stroke and allows fork positioning with a single function auxiliary hydraulic system. (Sideshift left to open forks, sideshift right to close forks).

▶ REVOLUTION! ▶

# Start a REVOLUTION!



## The Affordable Hydraulic Solution



**Radio Frequency Hydraulic Control** provides a simple, cost effective means to position the forks. Permits the use of a single function auxiliary valve to control an additional hydraulic function. Eliminates the need for additional hydraulic hoses or electric cables and offers a minimum of installation time.



**Sequence Valve** Permits fork positioning at the end of the sideshift stroke. Allows fork positioning with a single function auxiliary hydraulic system. (Sideshift left to open forks, sideshift right to close forks).

## Other Options



**Bolt-On Pallet/Cylinder Guard** provides additional protection for the pallet and cylinders.



**Quick Disconnect Mounting** Allows the sideshifter or fork positioner to be removed from the truck carriage without using hand tools.



**Hydraulic Components Guard** Protects lift truck and sideshifter hydraulic components.



**Pallet Protector** Prevents damage to the top deck boards of a pallet.



**Bronze Upper Bearings & Lower Hooks** For use in highly abrasive and contaminated environments.

Cascade Corporation • PO Box 20187 • Portland, OR 97294-0187 • USA • 800 CASCADE (227.2233) • Tel 503.669.6257 • Fax 800.693.3768 • Fax 503.669.6367  
 Cascade Canada Ltd. • 5570 Timberlea Blvd. • Guelph, Ontario L4W 4M6 • Canada • 800.380.2272 • Tel 905.629.7777 • Fax 905.629.7785