



*A cost effective,  
smooth operating  
sideshifting fork  
positioner to  
increase  
productivity,  
improve safety and  
decrease product  
damage.*



## H-SERIES FORK POSITIONER



# The fork positioner for distribution and manufacturing material handling

## APPLICATIONS

The 55H sideshifting fork positioner is recommended for cushion tire trucks in distribution, warehousing, and light manufacturing operations.

The 150H sideshifting fork positioner is recommended for applications in distribution, manufacturing, food processing and limited outdoor uses.

## FEATURES

- No-weld installation
- Top mount fork carriers
- Excellent visibility
- Load backrest integral to frame

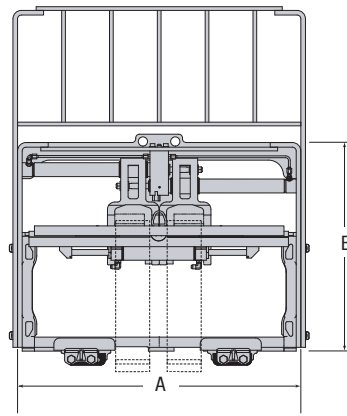
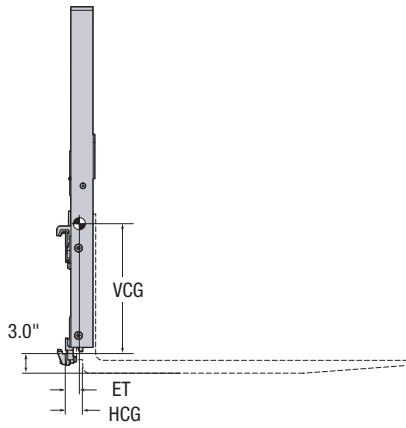
## OPTIONS

- Non-sideshifting
- Custom load backrest height
- Custom widths
- Optional fork carrier widths
- Bronze bearings
- Bronze lower hooks



**cascade**  
corporation

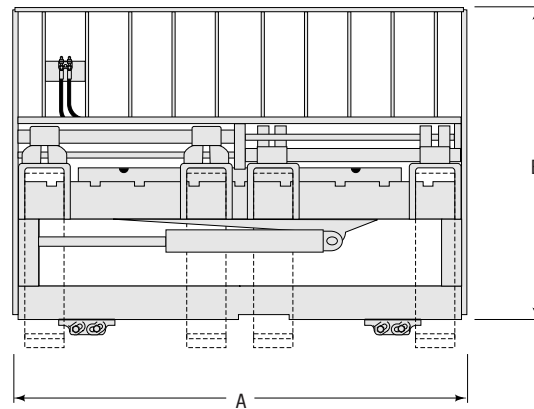
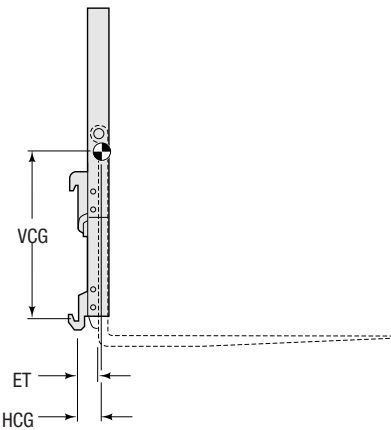
# H-SERIES FORK POSITIONER



## 55H (Class II)

Capacity @ 24" (600 mm) Load Center		Opening Range	Fork pocket Width	Catalog Order No.	Mtg. Class	Min. Truck Carriage Width	Weight		Effective Thickness	Horizontal Ctr. of Gravity	Vertical Ctr. of Gravity	Overall Width	Overall Height
lbs	kg						lbs	kg					
<b>With Backrest (48" height)</b>													
5,500	2,495	2.0"-35.0"	5"	<b>55H-FPS-A137</b>	II	31"	279	152	2.7"	1.80"	20.0"	39.25"	29.65"
5,500	2,495	2.0"-39.0"	5"	<b>55H-FPS-A141</b>	II	37"	293	158	2.7"	1.80"	20.0"	43.25"	29.65"
5,500	2,495	2.0"-47.0"	5"	<b>55H-FPS-A149</b>	II	41"	327	174	2.7"	1.80"	20.0"	51.25"	29.65"

- ▶ Forks are not included with attachment.
- ▶ 8" total sideshift. For non-sideshift option consult Cascade..
- ▶ **60" fork maximum length.**
- ▶ Consult Cascade for frame widths up to 61" wide.
- ▶ Cannot accommodate high shank forks.
- ① Fork Pocket: 55H adjustable to 4" wide forks—Add 2" to minimum closing range.



## 150H (Class IV)

Capacity @ 24" (600 mm) Load Center		Opening Range	Fork Pocket Width	Catalog Order No.	Mtg. Class	Min. Truck Carriage Width	Weight		Effective Thickness	Horizontal Ctr. of Gravity	Vertical Ctr. of Gravity	Overall Width	Overall Height
lbs	kg						lbs	kg					
15,000	6,810	4.1"-43.7"	6"	<b>150H-FPS-C051</b>	IV	46"	720	327	3.3"	2.2"	21.65"	50.6"	53.5"
15,000	6,810	4.1"-55.6"	6"	<b>150H-FPS-C053</b>	IV	48"	875	397	3.3"	2.2"	21.65"	63.0"	53.5"
15,000	6,810	4.1"-67.0"	6"	<b>150H-FPS-C055</b>	IV	60"	1,005	457	3.3"	2.2"	21.65"	74.0"	53.5"

- ▶ Forks are not included with attachment.
- ▶ Load backrest integral to frame.
- ▶ Fork width required is 6".
- ▶ 12" total sideshift. For non-sideshift option consult Cascade.
- ▶ Optional 7" and 8" fork pockets available.
- ▶ 60" fork maximum length. For longer forks, consult Cascade.
- ▶ Cannot accommodate high shank forks.

### INSTALLATION KIT

Model	Catalog Order No.
55H Single Function	<b>6118753</b>
55H Dual Function	<b>6118567</b>
150H Single Function	<b>218898</b>
150H Dual Function	<b>218899</b>

Cascade Corporation • PO Box 20187 • Portland, OR 97294-0187 • USA • 800 CASCADE (227.2233) • Tel 503.669.6257 • Fax 800.693.3768 • Fax 503.669.6367  
 Cascade Canada Ltd. • 5570 Timberlea Blvd. • Mississauga, Ontario L4W 4M6 • Canada • 800.380.2272 • Tel 905.629.7777 • Fax 905.629.7785